

Accumulator Table



Accumulator Table



System Features

- Stainless Steel Fasteners
- Bearing With Grease Fitting
- Variable Speed DC Motor
- 1/4 HP DC Motor
- Support Legs with Casters
- Powder Coated/Anodized Aluminum and Powder Coated Steel Construction

System Options

- Variable Speed AC Drive (Digital Display)
- Support Base with Double Locking Casters and Leveling Feet
- Wash Down
- Leveling Feet

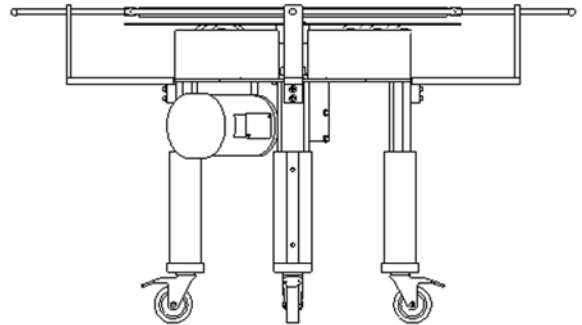
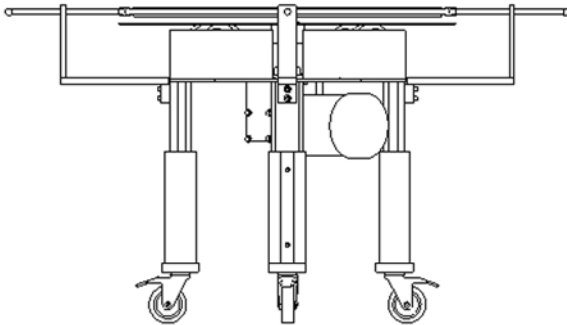
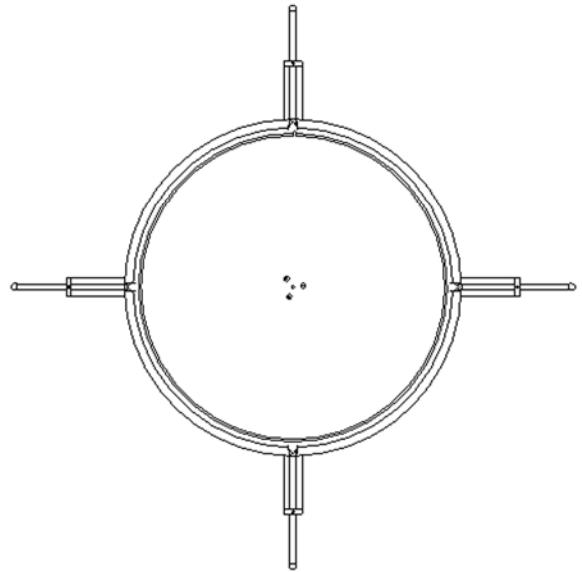
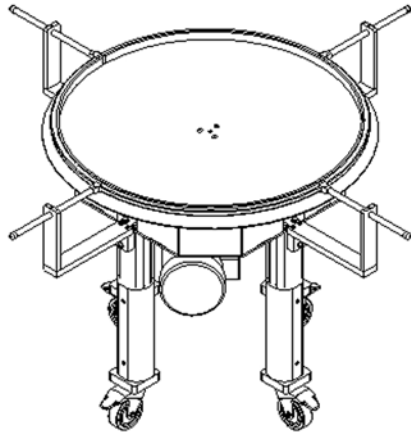


6496 State Route 45
Lisbon, Ohio 44432

(330) 424-1525
fax (330) 424-0763

info@rlcraig.com
www.rlcraig.com

Accumulator Table



Electrical Requirements

- 120 VAC / 6 Amp
- ** Additional voltages available upon request*

Table Widths

- 36" or 48" Diameter

Approximate Dimensions

- Dependent on Table Diameter

Approximate Weight

- Dependent on Table Diameter

Distributed By:



6496 State Route 45
Lisbon, Ohio 44432

(330) 424-1525
fax (330) 424-0763

info@rlcraig.com
www.rlcraig.com