



# Model RLC1000

# Matto Chain Conveyor

6496 State Route 45 Lisbon, Ohio 44432 • Phone: 330-424-1525 • www.rlcraig.com • info@rlcraig.com



### System Features

- Stainless Steel Fasteners
- 120 VAC / 6 Amp
- Variable Speed DC Controller
- 1/2 HP DC Motor & Hollow Shaft Gearbox
- Rexnord Matto Chain
- Height Adjustment (+/- 3")
- Fully Adjustable Guide Railing
- H-Style Frame with Double Locking Casters and Leveling Feet
- Powder Coated/Anodized Aluminum and Powder Coated Steel Construction
- Newly Re-designed Side Frame that Accept both DTCN's and DTCN-SV's
- Roller Leg Assembly(s) with Heavy Duty Upright and Horizontal Kit
- Remote Emergency Stop

### System Options

- Variable Speed AC Drive (Digital Display)
- Sensor - Reflector Mount
- Scanner and Other Custom Adapter Plates
- Stainless Steel or Washdown Construction
- Center Drive Orientation

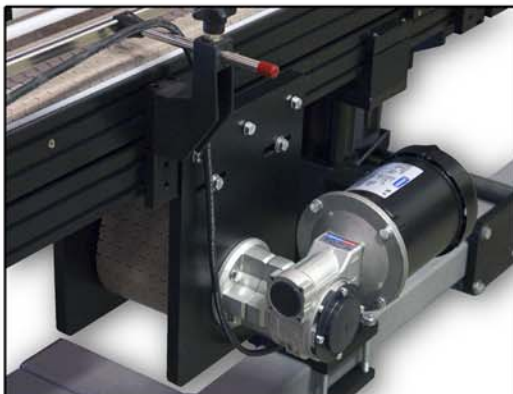
### Conveyor Widths

- 3" - 24" (3" Increments)
- \* Larger Custom widths available upon request \*

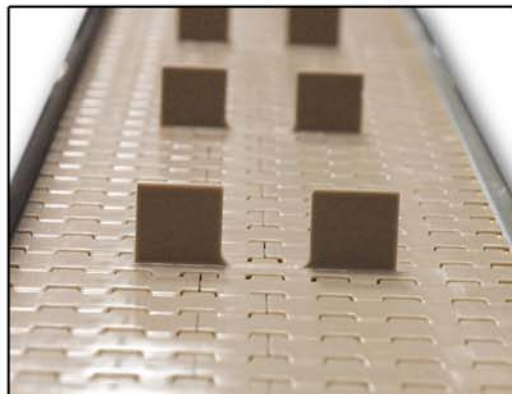
### Conveyor Lengths

- 4ft, 6ft, 8ft, 10ft, 12ft
- \* Custom lengths available upon request \*

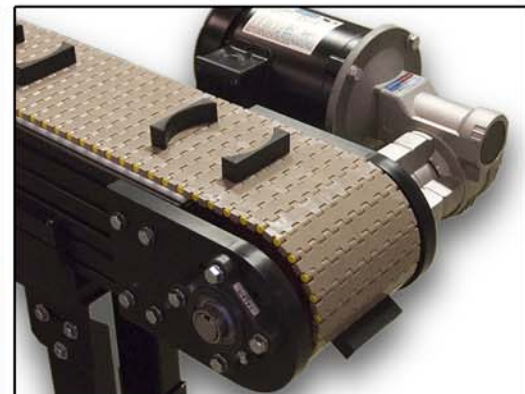
Shown with Center Drive Orientation



Shown with Optional Flights



Shown with Optional Product Fixtures



# Conveying Your Ideas to Market™

