



# Model RLC4800

# Hugger Belt System

6496 State Route 45 Lisbon, Ohio 44432 • Phone: 330-424-1525 • www.rlcraig.com • info@rlcraig.com



Shown with Optional EuroDrive Motors

### System Features

- Stainless Steel Fasteners
- Sealed for Life Bearings
- 1/2 HP DC Motor & Hollow Shaft Gearbox
- Center-line Adjusting
- Powder Coated or Anodized Aluminum Construction
- Support Base with Double Locking Casters and Leveling Feet
- 36" Heavy Duty Upright with Horizontal Kit
- Remote Emergency Stop
- Height Adjustment (+/- 3")
- 0 - 120 Feet Per Minute

### System Options

- Complete Stainless Steel Construction
- Thomson Bearing Horizontal Kit
- Stainless Steel Support Base
- Stainless Steel All-Thread (Horizontal & Vertical)
- Product Detect Sensor Mounting Brackets
- Bottom Support Rails for Heavy Products
- FDA Approved Side Belts

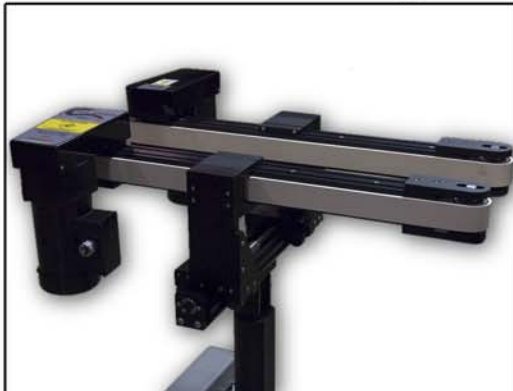
### Electrical Requirements

- 120 VAC / 8 Amp
- \* Additional Voltages Available upon Request\*

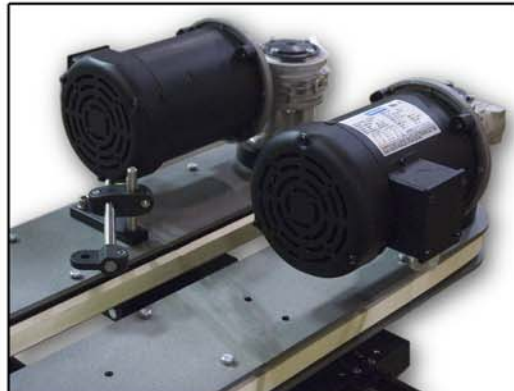
### Standard Lengths

- 36", 48", 60"
- \* Custom lengths available upon request \*

RLC250H Low Profile Hugger



Standard Direct Drive Motor Mount



Shown with Stainless Steel Construction



# Conveying Your Ideas to Market™

