



Model RLC1000

Mattop Chain Conveyor

6496 State Route 45 Lisbon, Ohio 44432 • Phone: 330-424-1525 • www.rlcraig.com • info@rlcraig.com



System Features

- Stainless Steel Fasteners
- 120 VAC / 6 Amp
- AC Motor & Hollow Shaft Gearbox with Allen Bradley Flex4 Variable Speed Drive
- Rexnord Mattop Chain
- Height Adjustment (+/- 3")
- Fully Adjustable Guide Railing
- H-Style Frame with Double Locking Casters and Leveling Feet
- Powder Coated/Anodized Aluminum and Powder Coated Steel Construction
- Newly Re-designed Side Frame that Accept both DTCN's and DTCN-SV's
- Roller Leg Assembly(s) with Heavy Duty Upright and Horizontal Kit
- Remote Emergency Stop

System Options

- Sensor - Reflector Mount
- Scanner and Other Custom Adapter Plates
- Stainless Steel or Washdown Construction
- Center Drive Orientation

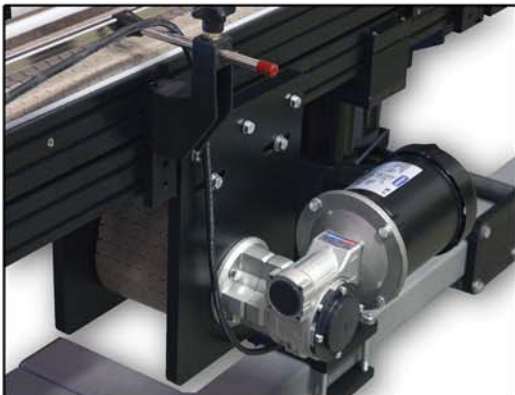
Conveyor Widths

- 3" - 12" (3" Increments)
- * *Custom widths available upon request **

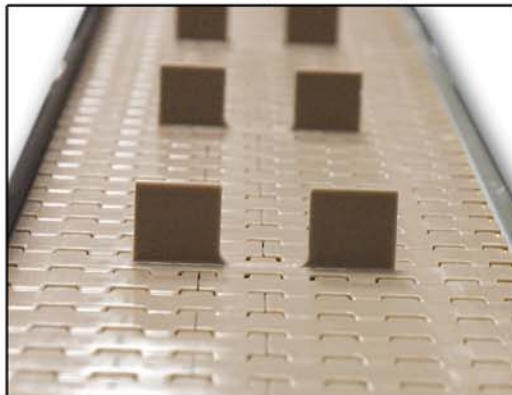
Conveyor Lengths

- 6ft, 8ft, 10ft, 12ft
- * *Custom lengths available upon request **

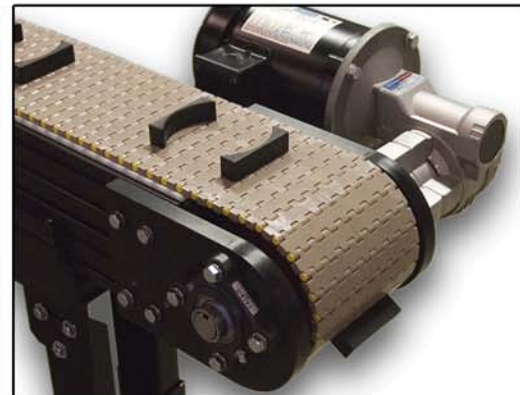
Shown with Center Drive Orientation



Shown with Optional Flights



Shown with Optional Product Fixtures



Conveying Your Ideas to Market™

